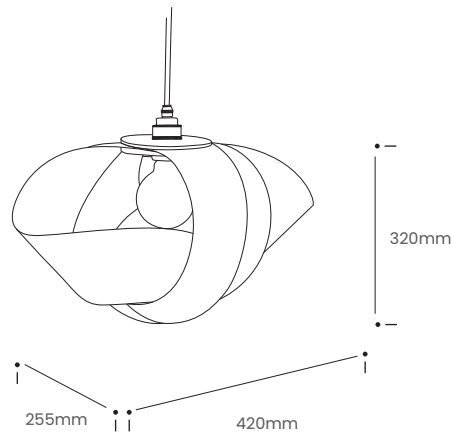


SHORE PENDANT

Product Specification

Tom Raffield



Shore Pendant



Born in the barrel of a waking wave, the Comber Lighting Range is shaped by the reverberating tides that lap the Cornish coastline. Inspired by the power and grace of the Atlantic Ocean, our newest collection ebbs, flows and rolls into your home, bringing with it the motion of seasonal Cornish swells.

Adorning homes with the calming complexity of coastal forms, the Shore Pendant graces interiors with curving form. A soothing interpretation of barrelling waves, the Shore's enveloping sustainably sourced ash, oak, or walnut is hand curved to provide a wooden lampshade that is different from every angle. Timber crescents are layered to partially cocoon the bulb, diffusing illumination through each cosy alcove. Suiting any space where a relaxed, tranquil atmosphere is required, the wooden Shore Pendant Light grounds any interior as a standalone design or gathered in clusters to mimic sculpturesque, shoreline scenes.

Step into the wave, invigorate your interiors.

Product Type : Pendant Light	SKU	Wood types	Dimensions L x W x H (mm)		Weight (kg)	
			Unboxed	Boxed	Unboxed	Boxed
Shore Pendant	TR-SHOR-P-O	Oak	255 x 420 x 320	450 x 450 x 450	0.298	3.2
	TR-SHOR-P-W	Walnut			0.306	
					0.297	
Materials	Oak 	Walnut 	Other materials Birch ply hanging disk 			
Finish	Non-toxic, hard wearing water based varnish - satin					
Wiring kit option : 1	Black ceiling rose and brass bulb holder 	Ceiling kit	Flex		Recommended light bulb	
		Ceiling rose: Ø100mm E27 (240v) / E26 (110v)	Flex colour: black fabric Flex length: 2m (Adjustable)		Max 25W LED	
Wiring kit option : 2	Brushed steel ceiling rose and bulb holder 	Ceiling kit	Flex		Recommended light bulb	
		Ceiling rose: Ø100mm E27 (240v) / E26 (110v)	Flex colour: light grey fabric Flex length: 2m (Adjustable)		Max 25W LED	
Care information	Dusting your light regularly and with a light feather duster should keep your light looking clean, otherwise wipe with a damp cloth and remove any moisture with a dry cloth. Gentle furniture polishes can also be used.					
Additional information	<ul style="list-style-type: none"> This light can be used with your existing E27/E26 pendant fitting. Suitable for use on 240v and 110v circuits. A shade ring adaptor can be supplied so the light can be used on a bayonet (B22) pendant fitting. Installation instructions included. 					