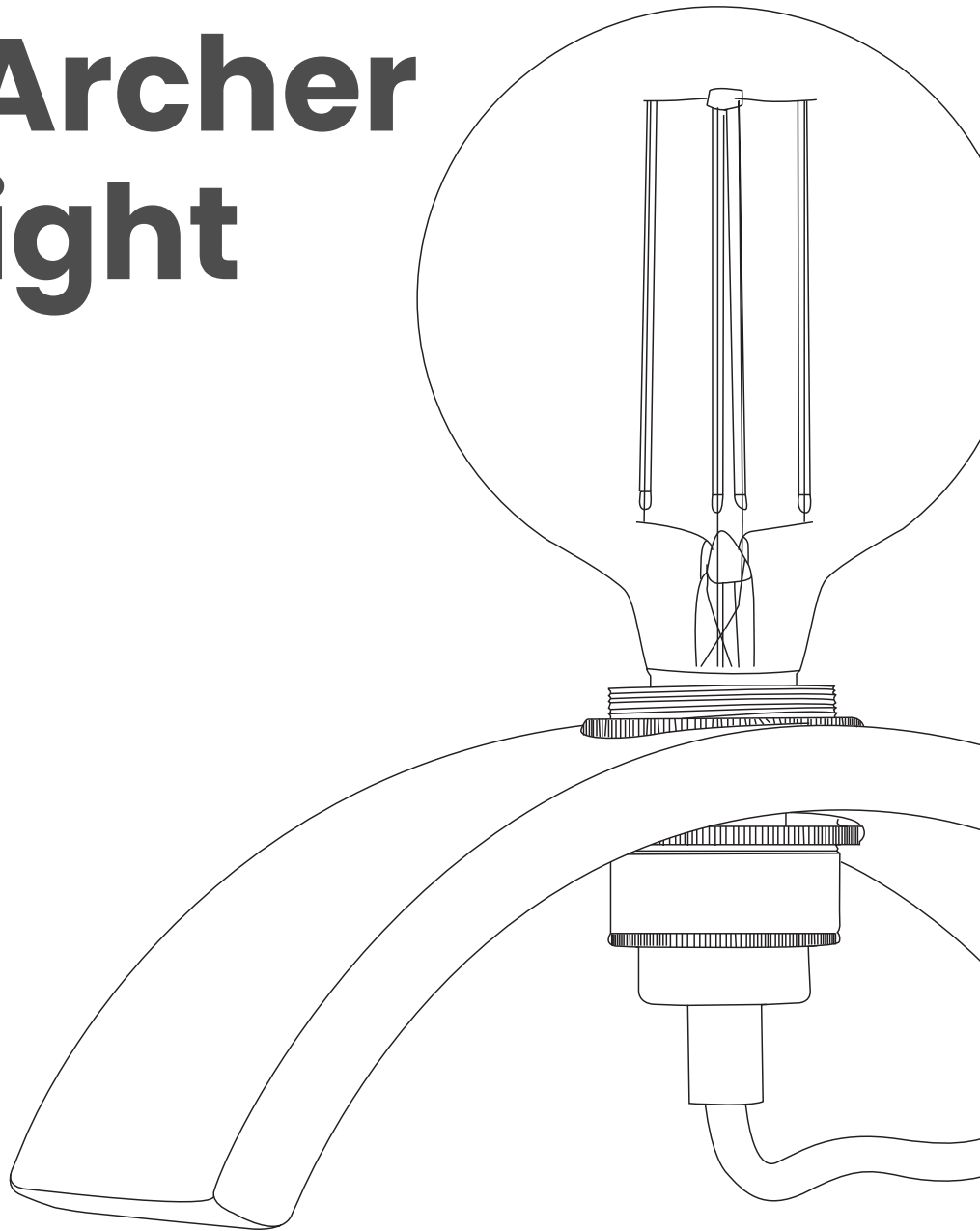


# Noctis Archer Table Light

Bold, ebonised design and our sought-after wooden aesthetic, merged. With confidence in its definitive silhouettes, The Noctis Range showcases a new focus and brings daring, darker depths to interiors.

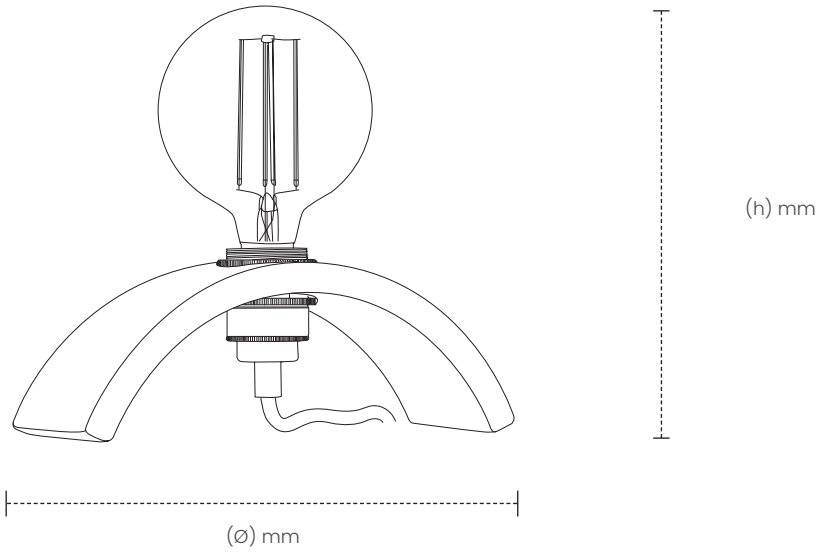
Inspired by industrial simplicity, the Archer Table Light is handcrafted from steam bent, ebonised wood and is accented by a brass light fitting that nestles into its architectural base. A striking, standalone table light design that showcases confident curves and a timeless aesthetic.

Invite darkness into the light.



## DISCLAIMER

Due to the character of handcrafted natural products, all dimensions are approximate. Wood colour may slightly vary. All product details are correct at time of print and are subject to change without notice.

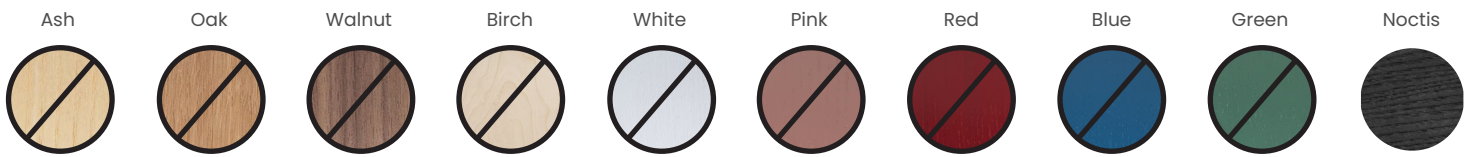


### NOCTIS ARCHER TABLE LIGHT

SKU	NOCTIS: TR-NCT-ARCH-TBL
DIMENSIONS L X W X H (mm)	UNBOXED: 240 X 75 X 90 BOXED: 270 X 130 X 100
WEIGHT (KG)	UNBOXED: 0.55 BOXED: 0.8

#### COLOUR VARIANTS

Painted Beech



Finish: Non-toxic, hard wearing water based varnish - satin.

#### ADDITIONAL INFORMATION

Suitable for use on 240v circuits only. Not suitable for use in the USA or Canada.  
Fitted with a UK plug - an adapter will be required for use outside of the UK (not provided).  
Installation instructions and fixings included.

#### WIRING KIT INFORMATION

Separate spec sheet for product wiring information available in product page downloads.