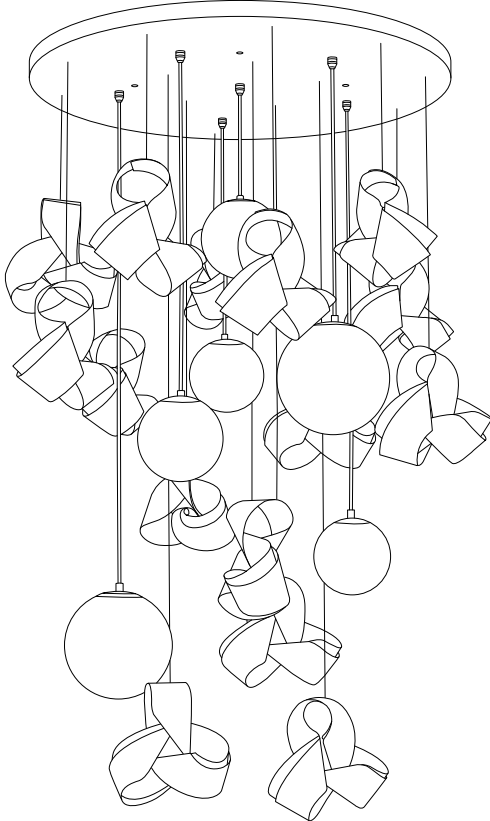


# Tom Raffield



## Luna Chandelier



### Installation Instructions - Part 1

---

# Luna Chandelier Installation Instructions

**Only qualified persons should assemble the luminaire. If in doubt, consult a suitably qualified person. Installation MUST be carried out in accordance and compliance with current building regulations. Due to the size and weight of the Luna Chandelier, a minimum of 3 people are required to install the luminaire.**

**Ensure the electrical supply is turned OFF at the fuse board.**

**\*\*\* It is important to read these instructions all the way through before starting the installation. \*\*\***

## Stage 1 – Preparation for hanging the chandelier

*We have included four additional cup hooks and four bungees within the box of the chandelier. These will help hold the Luna close to the ceiling, allowing the electrical connection to be made without having to hold the top plate at the same time.*

1. Identify if there are any hidden pipes or electrical cables in the ceiling to avoid causing damage or risk of electrical shock during installation. Screw the four loose cup-hooks into the ceiling above where the chandelier will hang (A). This will likely be where the electrical supply wire protrudes from the ceiling. You may need to drill pilot holes and use additional fixings (e.g. plaster board plugs) dependant on ceiling structure. **The ceiling structure and screws must be capable of supporting the weight of the chandelier (15kg).** We would always recommend finding a ceiling joist if possible.
2. Hook the four elasticated bungees off the cup hooks attached to the ceiling (A).

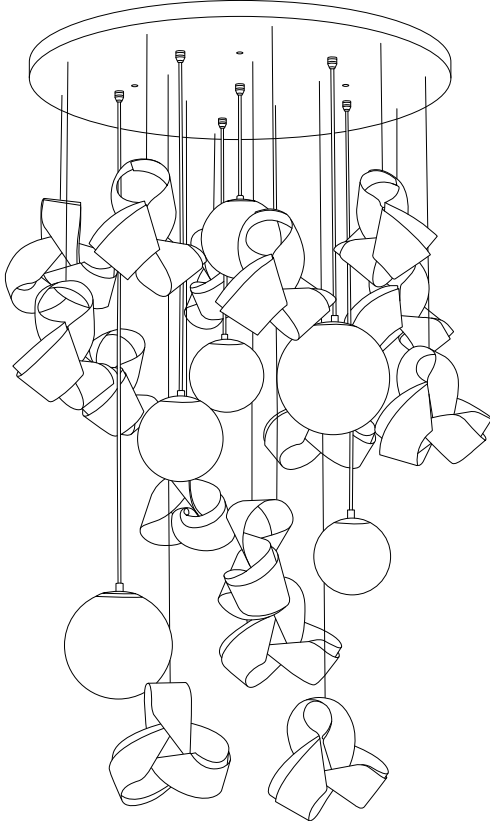
## Stage 2 – Hanging the chandelier

3. Carefully remove the Luna Chandelier including the supporting plywood frame from the box ensuring it is kept upright and level. This will help to minimise the risk of the components becoming tangled. Place the frame on the floor in the same way as it was packaged.
4. With two additional people holding the wooden Luna top plate, slowly undo the circled and labelled screws holding the plate to the plywood frame. **Undoing the screws will cause the plate to drop and damage the Luna components if it is not being held securely by two additional people.** The frame can now be removed as it is only needed to stop the wooden components being crushed in transit.
5. With two people, carefully lift up the chandelier and hook one end of each bungee onto one of the cup hooks already in the ceiling (A), loop through the cup hooks on the Luna top plate (B) and then back onto the same hooks in the ceiling (A). The Luna top plate should be hanging from the middle of the elasticated part of each bungee (B).
6. Wire in the six protruding wires from the centre of the chandelier to the mains electricity (**220-240V AC 50-60Hz**). We have supplied wago electrical connectors to connect all six wires to the main electrical supply cable.
7. With two people holding the chandelier plate, remove all of the bungees and cup hooks from both the ceiling and the chandelier plate; the chandelier can now be pushed against the ceiling, exactly in the desired position.
8. Using suitable screws 5mm in diameter and a length determined by composition of ceiling structure, screw the plate to the ceiling through the four holes near the centre of the chandelier (D). You may need to drill pilot holes and use additional fixings (e.g. plaster board plugs) dependant on ceiling structure. **The ceiling structure and screws must be capable of supporting the weight of the chandelier (15kg).** We would always recommend finding a ceiling joist if possible. Be very careful here not to tangle or get the threads caught in the drill driver.
9. Push the wooden plugs supplied into the screw holes to conceal the screws. Some super glue/wood glue (not supplied) carefully applied to the plugs will ensure they do not fall out over time.
10. Screw in the light bulbs included. The chandelier has been designed to work with E27 **LED** bulbs, up to a maximum of **25 Watts** each. Once the light bulbs have been fitted, the glass sphere diffusers can be attached. **The bulb holders have been labelled with the corresponding size of diffuser needed.**
11. Starting from the middle, carefully uncoil each of the wooden components from the cardboard rolls and untangle any components which may have become tangled.
12. Turn the power supply on to complete installation.

# Tom Raffield



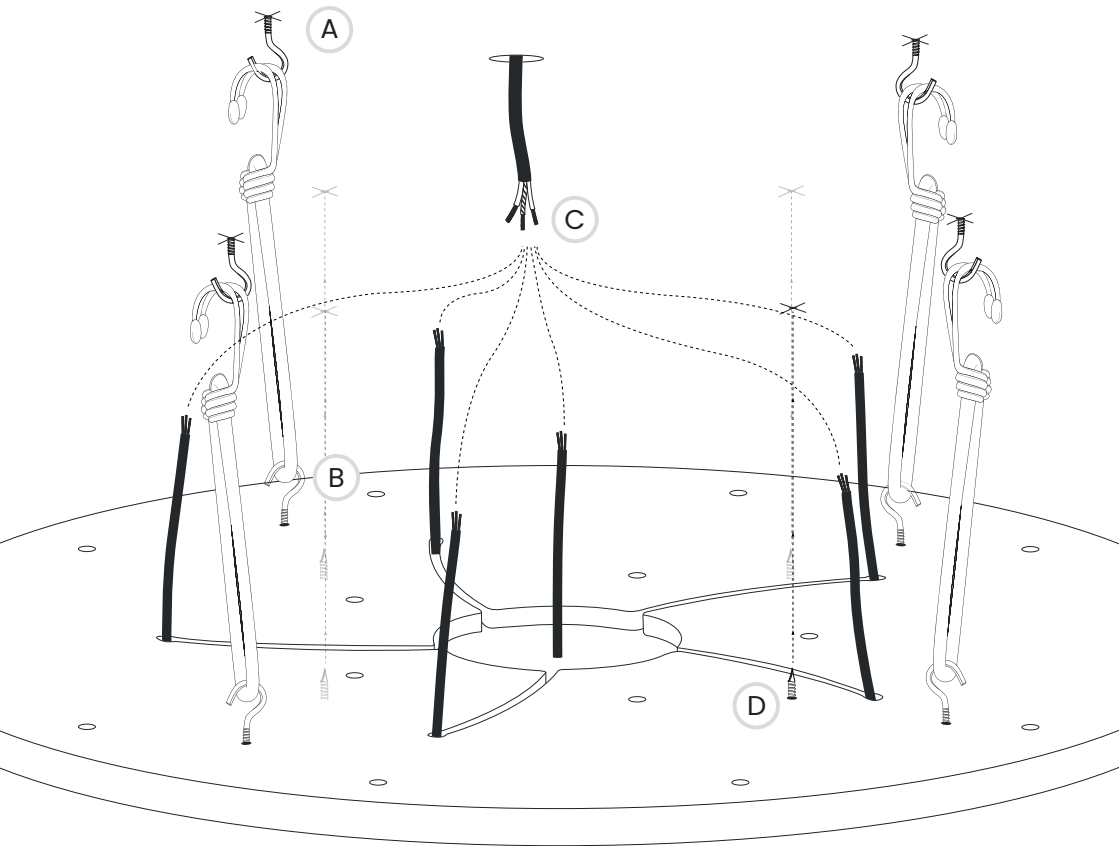
Luna Chandelier



Installation Instructions - Part 2

---

## Luna Chandelier Installation Instructions



Above is a diagram detailing how the Luna Chandelier is secured to the ceiling and connected to the power supply using the bungees provided to aid installation. The bungees take the weight of the chandelier whilst the electrical connection is being made.

Once the connection is made, the bungees and all of the cup hooks in the ceiling and wooden top plate should be removed before screwing the plate to the ceiling. Ensure the chandelier plate is being supported as the bungees are removed so that none of the weight is being held by the electrical wiring.

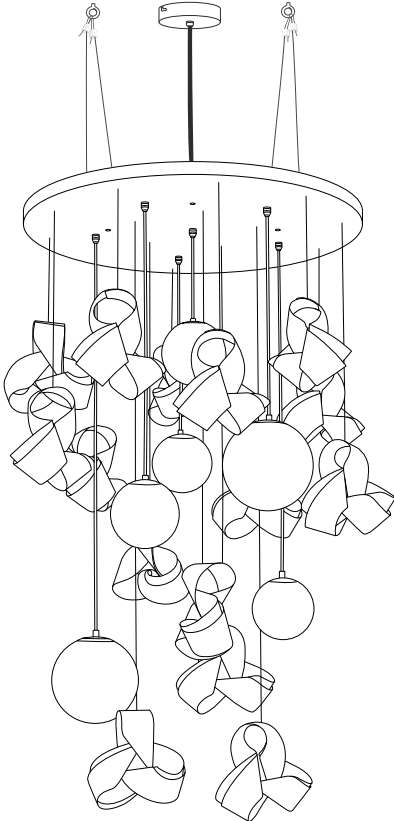
\*\*\* If the external flexible cable or cord of this luminaire is damaged, it shall be exclusively replaced by the manufacturer or his service agent or a similar qualified person in order to avoid a hazard. \*\*\*

For more information on the installation of your product: [sales@tomraffield.com](mailto:sales@tomraffield.com) +44 (0)1326 722725

# Tom Raffield



## Luna Chandelier - Suspended Mount



### Installation Instructions - Part 1

---

# Suspended Mount – Luna Chandelier Installation Instructions

**Only qualified persons should assemble the luminaire. If in doubt, consult a suitably qualified person. Installation MUST be carried out in accordance and compliance with current building regulations. Due to the size and weight of the Luna Chandelier, a minimum of 3 people are required to install the luminaire.**

**Ensure the electrical supply is turned OFF at the fuse board.**

**\*\*\* It is important to read these instructions all the way through before starting the installation. \*\*\***

## Stage 1 – Preparation for hanging the chandelier

1. Identify if there are any hidden pipes or electrical cables in the ceiling to avoid causing damage or risk of electrical shock during installation. Using suitable screws 5mm in diameter and a length determined by composition of ceiling structure, screw the mounting bracket from the ceiling rose into the ceiling where you require the chandelier to hang from (A). This will likely be where the electrical supply wire protrudes from the ceiling. You may need to drill pilot holes and use additional fixings (e.g. plaster board plugs) dependant on ceiling structure. **The ceiling structure and screws must be capable of supporting the weight of the chandelier (15kg).** We would always recommend finding a ceiling joist if possible. Using the same method as above, secure the two brass eyelets into the ceiling either side of the pendant kit, leaving approximately 300mm gap between the eyelets, with the ceiling kit central to them.
2. Using the connection box (B) inside the ceiling rose, connect the pendant kit to the mains electricity (**220-240V AC 50-60Hz**).
3. We have attached four lengths of tension wire to the eyelets in the wooden top plate (C). You can use these as reference on how to thread the tension wire through the zip-clip and eyelet on the ceiling when you come to hang the chandelier noting the direction of the arrow on the zip-clips to ensure they are threaded correctly (D).

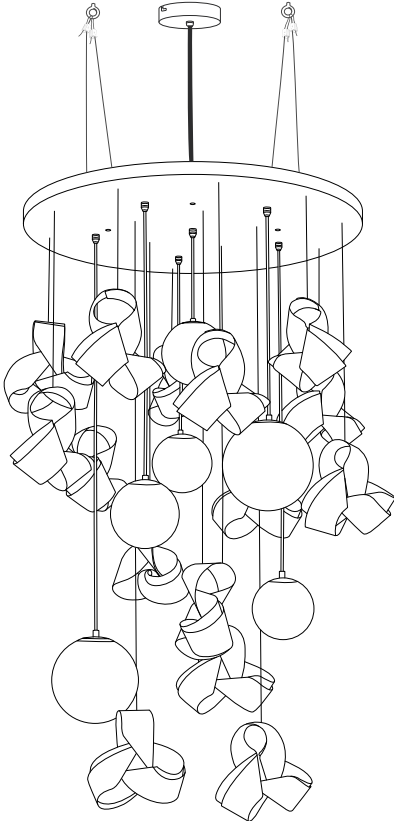
## Stage 2 – Hanging the chandelier

4. Carefully remove the Luna Chandelier including the supporting plywood frame from the box ensuring it is kept upright and level. This will help to minimise the risk of the components becoming tangled. Place the frame on the floor in the same way as it was packaged.
5. With two additional people holding the wooden Luna top plate, slowly undo the circled and labelled screws holding the plate to the plywood frame. Undoing the screws will cause the plate to drop and damage the wooden components if it is not being held securely by two additional people. The frame can now be removed as it is only needed to stop the wooden components being crushed in transit.
6. With the help of two additional two people, carefully lift up the chandelier and loop each loose end of tension wire through the eyelets you screwed into the ceiling and back through the Zip-Clips (E). Make sure to pull plenty of excess through to ensure there is no risk of the tension wire slipping. **There should be two lengths of tension wire per each eyelet in the ceiling.** If you are happy that each wire is secure and roughly adjusted to the same length, the weight of the Luna Chandelier can now safely be held by the tension wire.
7. Adjust each tension wire as needed, by moving the spring loaded slider on the side of the Zip-Clip and pull or release the tension wire one at a time so that the top plate of the chandelier is completely level. Once you are happy the plate is completely level, you can now trim the tension wire ends leaving just a little (roughly 5cm) poking through each Zip-Clip.
8. Using the electrical connectors supplied, connect the chandelier to the mains electricity (F) (**220-240V AC 50-60Hz**). You may need to adjust the length of the flex from the ceiling rose to the wooden top plate so it hangs as straight as possible while not putting strain on the connections.
9. Screw in the light bulbs included or bulbs of your choosing. The chandelier has been designed to work with E27 **LED** bulbs, up to a maximum of **25 Watts** each. Once the light bulbs have been fitted, the glass sphere diffusers can be attached. **The bulb holders have been labelled with the corresponding size of diffuser needed.**
10. Starting from the middle, carefully uncoil each of the wooden components from the cardboard rolls and untangle any components which may have become tangled.
11. Turn the power supply on to complete installation.

# Tom Raffield



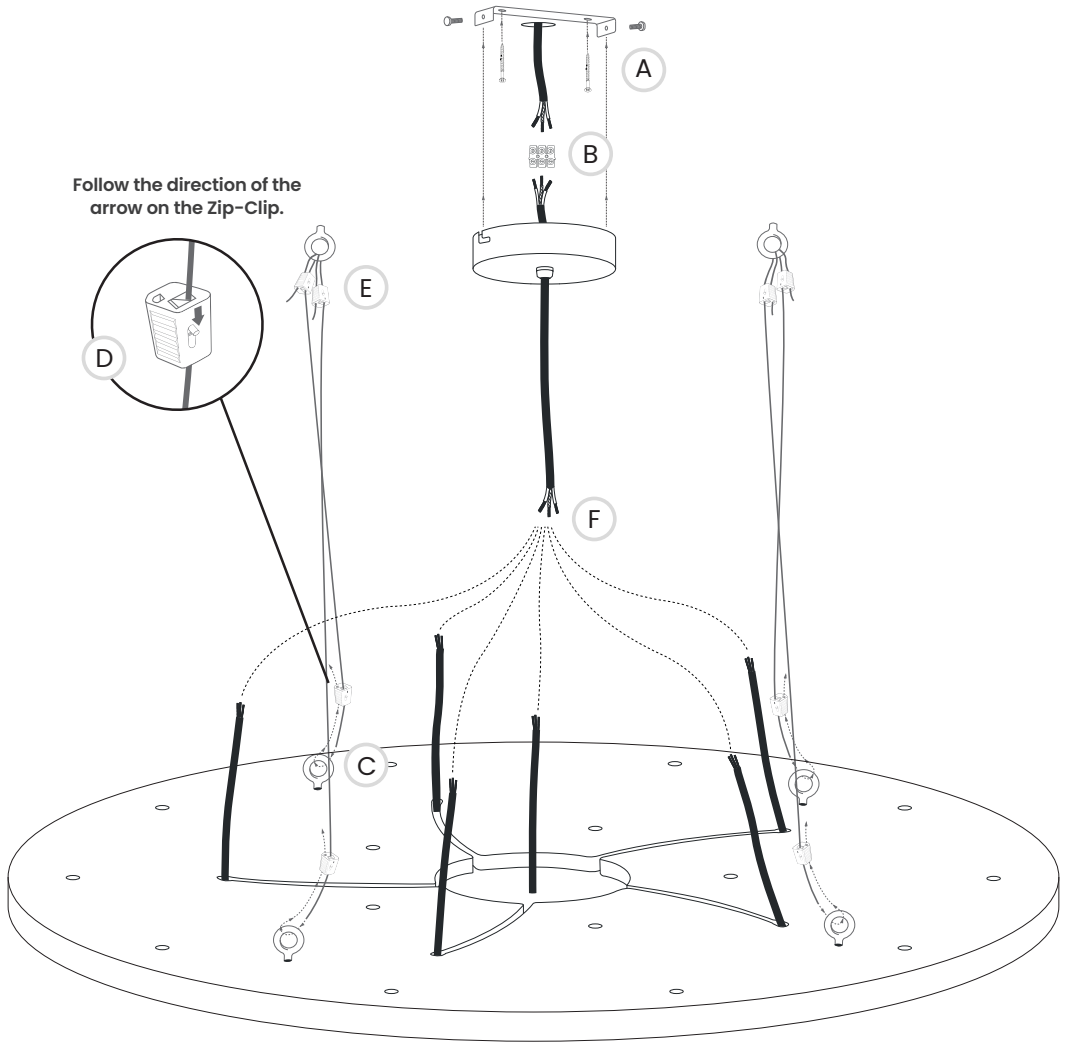
## Luna Chandelier - Suspended Mount



### Installation Instructions - Part 2

---

## Suspended Mount - Luna Chandelier Installation Instructions



Above is a diagram detailing how the Luna Chandelier is secured to the ceiling rose and connected to the power supply using the tension wires and Zip-Clips provided to aid installation. The tension wires suspend the chandelier but also take the weight of the chandelier whilst the electrical connection is being made.

**Ensure the chandelier plate is being fully supported by the tension wire so that none of the weight is being held by the electrical wiring.**

\*\*\* If the external flexible cable or cord of this luminaire is damaged, it shall be exclusively replaced by the manufacturer or his service agent or a similar qualified person in order to avoid a hazard. \*\*\*

For more information on the installation of your product: [sales@tomraffield.com](mailto:sales@tomraffield.com) +44 (0)1326 722725