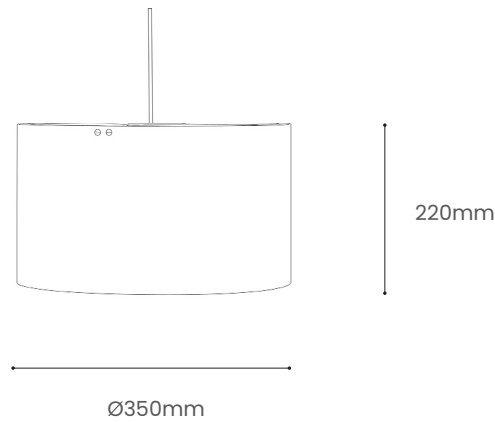


KANNA DRUM PENDANT

Tom Raffield

Product Specification





Kanna Drum Pendant



Rooted in minimalism, the Kanna Drum Lighting Range radiates warmth, whilst allowing the distinctive fingerprint found in this natural material to shine. Inspired by the precision hand tool used in Japanese woodworking, the Kanna design celebrates the strength and delicacy of sustainably sourced wood.

Diffusing a warm glow into its surroundings, the elegant tier of sustainably sourced oak or walnut gently cocoons the bulb, allowing the organic wooden grain to take centre stage. The plywood inner structure supports the skilfully simple layer of timber, secured with brass screws to create a soft pool of downlight. The effortlessly elegant Kanna Drum Pendant Large makes a bold addition to your calming retreats, such as bedrooms and living spaces.

Infuse nature. Create harmony.

Product Type : Pendant Light	SKU	Wood types	Dimensions L x W x H (mm)		Weight (kg)	
			Unboxed	Boxed	Unboxed	Boxed
Kanna Drum Pendant	TR-KANN-P-O-V1	Oak	350 x 220	457 x 457 x 305	0.15	2.25
Materials	Oak 		Other materials Birch ply hanging disk 			
Finish	Non-toxic, hard wearing water based varnish - satin					
Wiring kit option : 1	Black ceiling rose and brass bulb holder 	Ceiling kit	Flex		Recommended light bulb	
		Ceiling rose: Ø100mm E27 (240v) / E26 (110v)	Flex colour: black fabric Flex length: 2m (Adjustable)		Max 25W LED	
Wiring kit option : 2	Brushed steel ceiling rose and bulb holder 	Ceiling kit	Flex		Recommended light bulb	
		Ceiling rose: Ø100mm E27 (240v) / E26 (110v)	Flex colour: light grey fabric Flex length: 2m (Adjustable)		Max 25W LED	
Care information	Dusting your light regularly and with a light feather duster should keep your light looking clean, otherwise wipe with a damp cloth and remove any moisture with a dry cloth. Gentle furniture polishes can also be used.					
Additional information	<ul style="list-style-type: none"> This light can be used with your existing E27/E26 pendant fitting. Suitable for use on 240v and 110v circuits. A shade ring adaptor can be supplied so the light can be used on a bayonet (B22) pendant fitting. Installation instructions included. 					