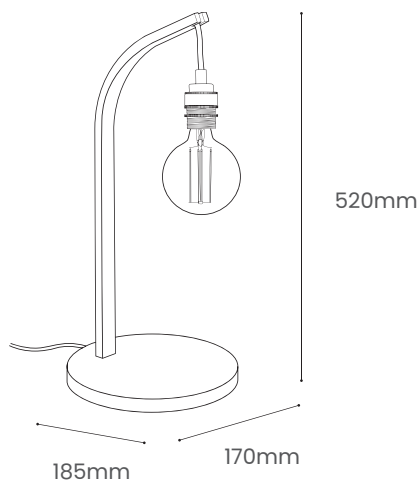


# COVE MOORING TABLE LIGHT

Tom Raffield

## Product Specification



Swathed in serene, coastal shades the Cove Lighting Collection echoes the tranquil hues of Cornwall's hidden coves. Familiar forms take on a new radiance as our most beloved designs are reborn in the captivating colours of the Cornish coast. Transforming any space, this striking lighting range reflects your unique style and brightens any room.

Handcrafted in sustainably sourced solid wood, hand finished in a colourful, environmentally friendly paint, the Cove Mooring Table Light's steam bent curve arches from its roots to showcase an exposed bulb, which casts a boundless glow. Use this vibrant wooden lamp to create a luminous tablescape in hallways, living spaces or bedrooms alike. Radiating endless illumination; this minimalist wooden table light is the ultimate balance between form and function.

Dive into coastal colour, reinvigorate your space.

Product Type : Table Light	SKU	Colours	Dimensions L x W x H (mm)		Weight (kg)	
			Unboxed	Boxed	Unboxed	Boxed
Cove Mooring Table Light	TR-MRG-TBL-RED	Ember Red	170 x 185 x 520	225 x 530 x 225	0.85	2.75
	TR-MRG-TBL-BLU	Falmouth Blue				
	TR-MRG-TBL-GRN	Sea Glass Green				
	TR-MRG-TBL-PNK	Shell Pink				
Colours	Ember Red	Falmouth Blue	Materials			
	Sea Glass Green	Shell Pink	Oak	Brass Fittings		
Finish	Finished with a blend of natural wax oils to give a protective, hardwearing and beautiful finish.					
Wiring kit options	Brass bulb holder with black inline switch and plug	Wiring kit	Flex		Recommended light bulb	
		Plastic inline switch	Flex colour: grey fabric		Max 25W LED	
		E27 (240v)	Cable length: 228cm from plug to bulb holder			
Care information	Dusting your light regularly and with a light feather duster should keep your light looking clean, otherwise wipe with a damp cloth and remove any moisture with a dry cloth. Gentle furniture polishes can also be used.					
Additional information	<ul style="list-style-type: none"> <li>Suitable for use on 240v circuits.</li> <li>This product can be plugged straight into a 240v outlet.</li> </ul>					