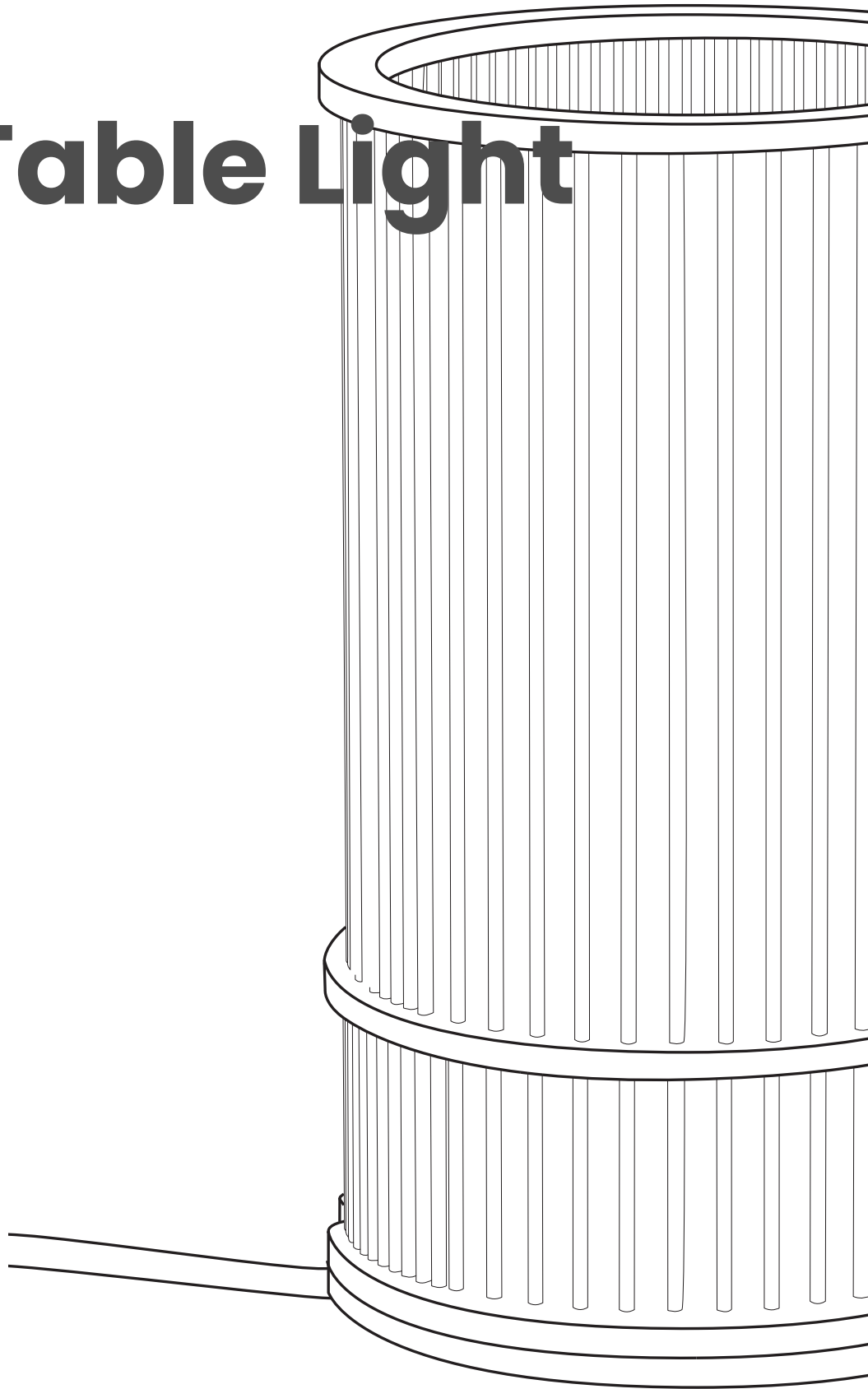


Artus Table Light

A fine birch dowel cage contains its blown-glass bulb within. Daring yet delicate, the Artus Table Light diffracts a mesmerising pattern of shadows, dramatising your space.

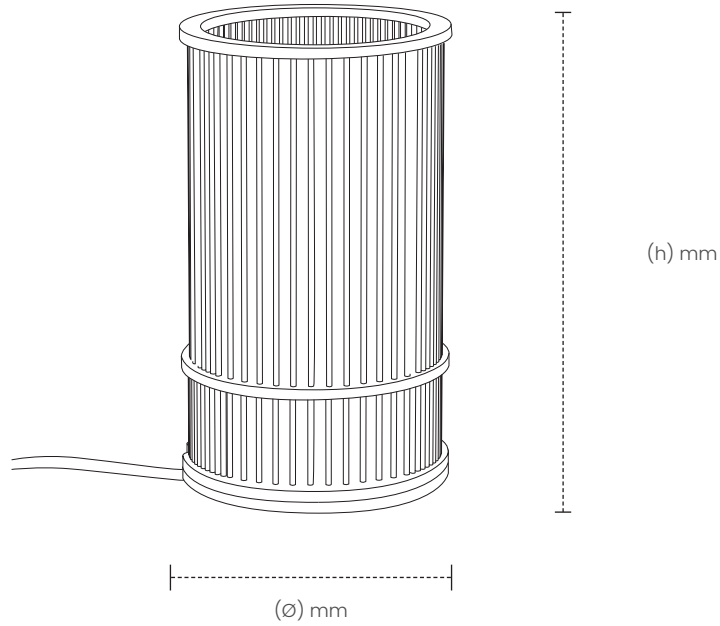
Fine, ethereal dowel is slotted into a laser-cut birch ply base to shroud an exposed filament bulb. Intricately placed, each illuminated pillar distributes kaleidoscopic, vertical shadows that mesmerise the eye of the beholder. Handcrafted from sustainably sourced wood.

Illuminate. Pack a punch. Draw the eye.



DISCLAIMER

Due to the character of handcrafted natural products, all dimensions are approximate. Wood colour may slightly vary. All product details are correct at time of print and are subject to change without notice.



ARTUS TABLE LIGHT

SKU

BIRCH: TR-ART-TBL-B

DIMENSIONS
L X W X H (mm)

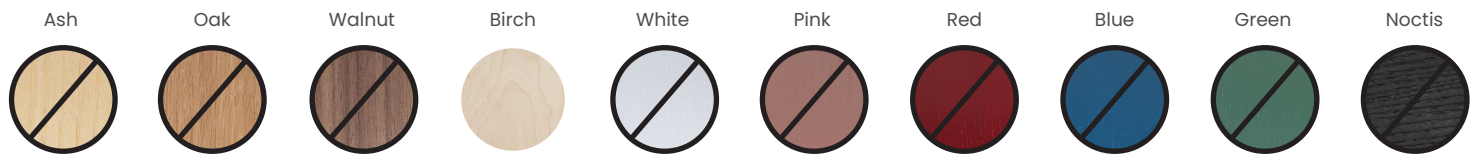
UNBOXED: $\varnothing 150$ X 250
BOXED: 540 X 312 X 165

WEIGHT
(kg)

UNBOXED: 0.55
BOXED: 1.5

COLOUR VARIANTS

Painted Beech



Finish: Non-toxic, hard wearing water based varnish - satin.

Additional materials: Birch dowel.

ADDITIONAL INFORMATION

Suitable for use on 240v circuits only. Not suitable for use in the USA or Canada.
Fitted with a UK plug - an adapter will be required for use outside of the UK (not provided).
Installation instructions and fixings included.

WIRING KIT INFORMATION

Separate spec sheet for product wiring information available in product page downloads.