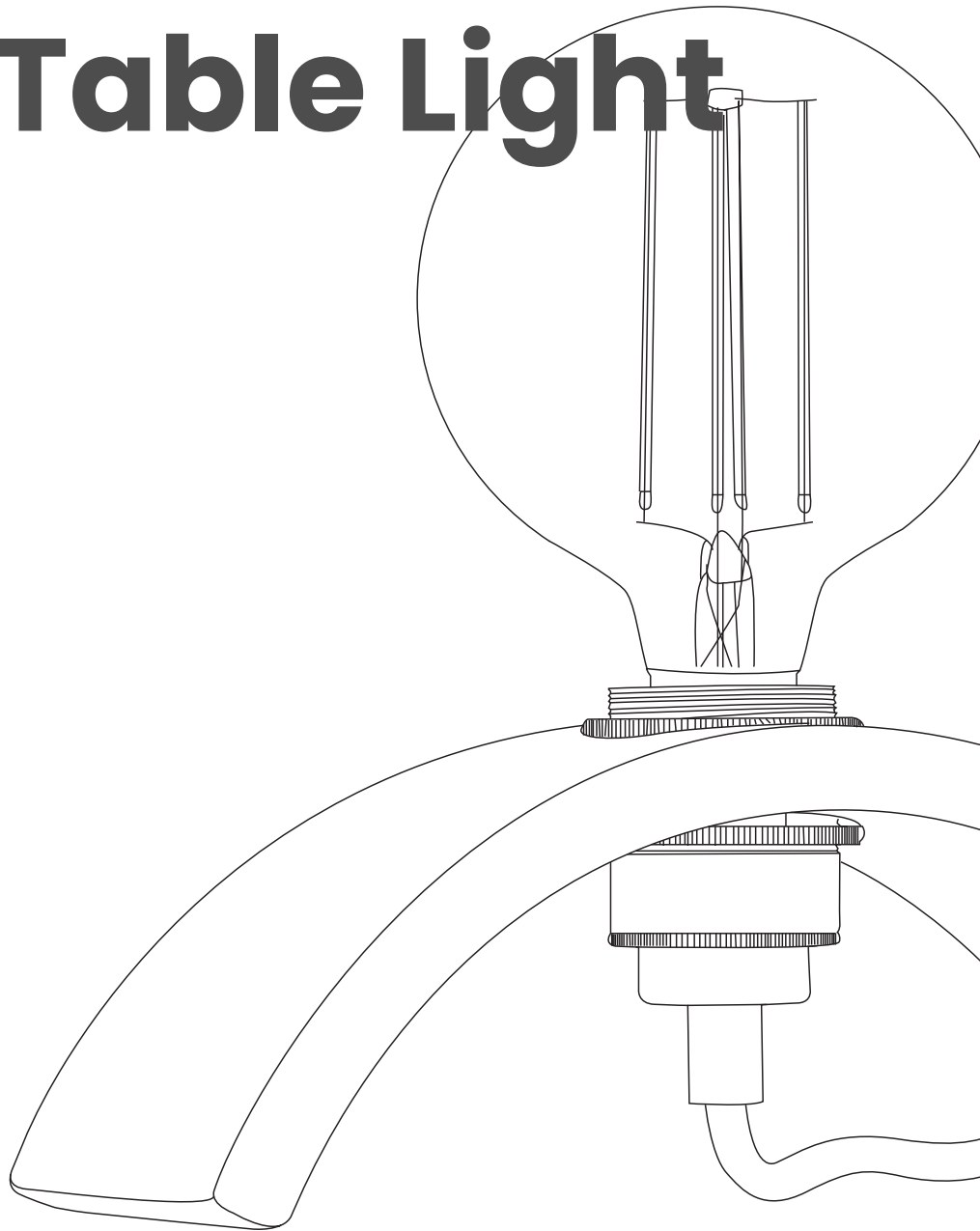


Archer Table Light

A taut, arching crescent of sustainably sourced oak shoulders a decorative LED bulb. Strong and sleek, the Archer Table Light emanates paired back elegance whilst producing ambient task lighting.

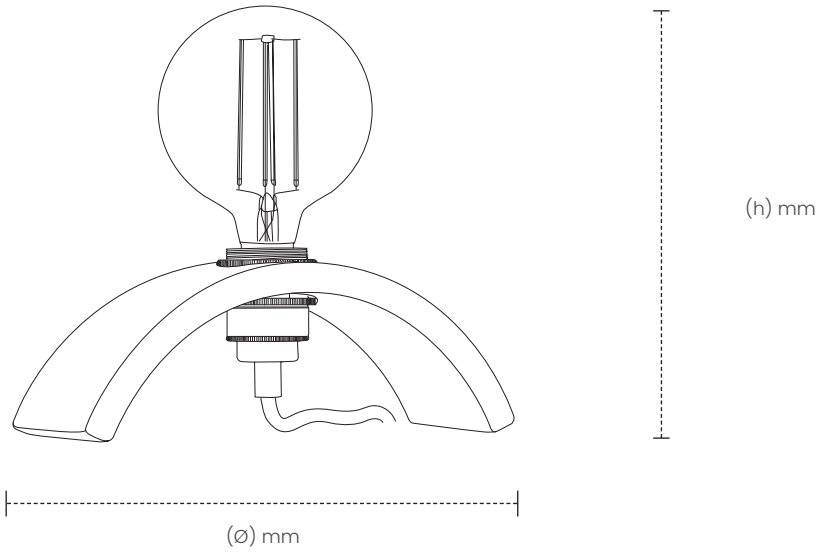
Inspired by industrial simplicity, the Archer Table Light is handcrafted from steam bent oak wood and is accented by a brass light fitting that nestles into its architectural base. A striking, stand alone table light design that showcases confident curves and a timeless aesthetic.

Invite light. Redefine minimalism.



DISCLAIMER

Due to the character of handcrafted natural products, all dimensions are approximate. Wood colour may slightly vary. All product details are correct at time of print and are subject to change without notice.



ARCHER TABLE LIGHT

SKU

OAK: TR-ARCH-TBL-O

DIMENSIONS
L X W X H (mm)

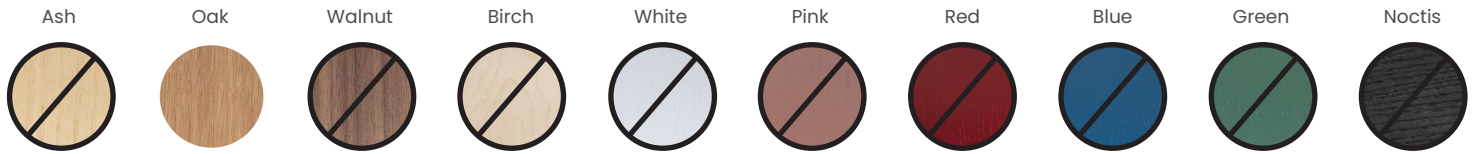
UNBOXED: 240 X 75 X 90
BOXED: 270 X 130 X 100

WEIGHT
(KG)

UNBOXED: 0.55
BOXED: 0.8

COLOUR VARIANTS

Painted Beech



Finish: Non-toxic, hard wearing water based varnish - satin.

ADDITIONAL INFORMATION

Suitable for use on 240v circuits only. Not suitable for use in the USA or Canada.
Fitted with a UK plug - an adapter will be required for use outside of the UK (not provided).
Installation instructions and fixings included.

WIRING KIT INFORMATION

Separate spec sheet for product wiring information available in product page downloads.